

## KD-1有线对讲系统 KD-1 wired talkback system

### 设备组成 Device Composition

序号 S/N	型号 Model	名称 Name	主要材质 Main material	重量 Weight	防护等级 IP class
1	8KD-1	对讲主机(嵌入式) Talkback main unit(Flush type)	碳钢、合金铝 Carbon steel, Aluminum alloy	12Kg	IP20
2	KD-1FQ	对讲分机(嵌入式) Talkback extension(Flush type)	阻燃ABS Fire retardant ABS	0.8Kg	IP20
3	KD-1FG	对讲分机(壁挂式) Talkback extension(Wall mount)	阻燃ABS Fire retardant ABS	1.1Kg	IP44
4	KD-1FF	防风雨对讲分机 Weatherproof talkback extension	阻燃PA66 Fire retardant PA66	2.22Kg	IP56
5	KD-1FJG	抗噪声对讲分机 Noise-proof talkback extension	阻燃ABS Fire retardant ABS	2.5Kg	IP44
6		防风雨箱 Weatherproof box	不锈钢 Stainless steel	6Kg	IP 56

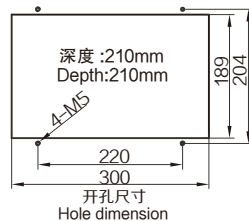
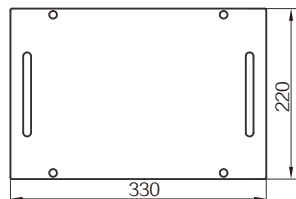
### 8KD-1对讲主机 Talkback main unit

#### 功能描述

主机与分机双向呼叫及对讲  
最大可外接8门分机  
主机具有通拨功能  
主机与分机2线制连接

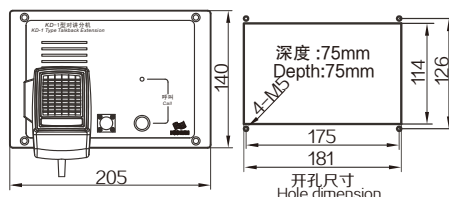
#### Function

Main unit and extension call and talkback each other  
Max. 8 extensions can be connected  
Main unit has function of all call  
Main unit is connected with extension by two-core cable



功放额定输出功率Rated output power of power amplifier:  $\geq 50W$   
主机扬声器输出功率Output power of main unit speaker:  $\geq 1W$   
额定输出电压Rated output voltage: constant voltage 60V  
杂音电平Noise level:  $\leq -40dB$   
非线性失真Nonlinear distortion:  $\leq 7\%$   
频率特性Frequency characteristic: 200Hz ~ 5000Hz  
呼叫信号为Call signal is 800  $\pm$  100Hz 断续音intermittent tone  
容量Capacity: 8 lines  
工作电压Operating voltage: DC24V  $^{+30\%}_{-25\%}$   
颜色Color: 黑色black (RAL 9005)  
防护等级 IP class: IP20  
重量 Weight: 12Kg  
功耗Power loss: 100W

### KD-1FQ对讲分机 Talkback extension



额定输出功率Rated output power:  $\geq 1W$   
杂音电平Noise level:  $\leq -40dB$   
非线性失真Nonlinear distortion:  $\leq 5\%$   
频率特性Frequency characteristic: 200Hz ~ 5000Hz  
相对于800Hz的频率响应为frequency response relative to 800Hz is  $\pm 3dB$   
颜色Color: 黑色black (RAL 9005)  
防护等级 IP class: IP20  
重量 Weight: 0.8Kg

### KD-1FG对讲分机 Talkback extension

额定输出功率Rated output power:  $\geq 1W$   
 杂音电平Noise level:  $\leq -40dB$   
 非线性失真Nonlinear distortion:  $\leq 5\%$   
 频率特性Frequency characteristic: 200Hz~5000Hz  
 相对于800Hz的频率响应为frequency response relative to 800Hz is  $\pm 3dB$   
 颜色Color:黑色black (RAL 9005)  
 防护等级 IP class:IP44  
 重量 Weight:1.1Kg  
 填料函进线孔径Stuffing box cable entrance hole size:  $2-\Phi 14mm$

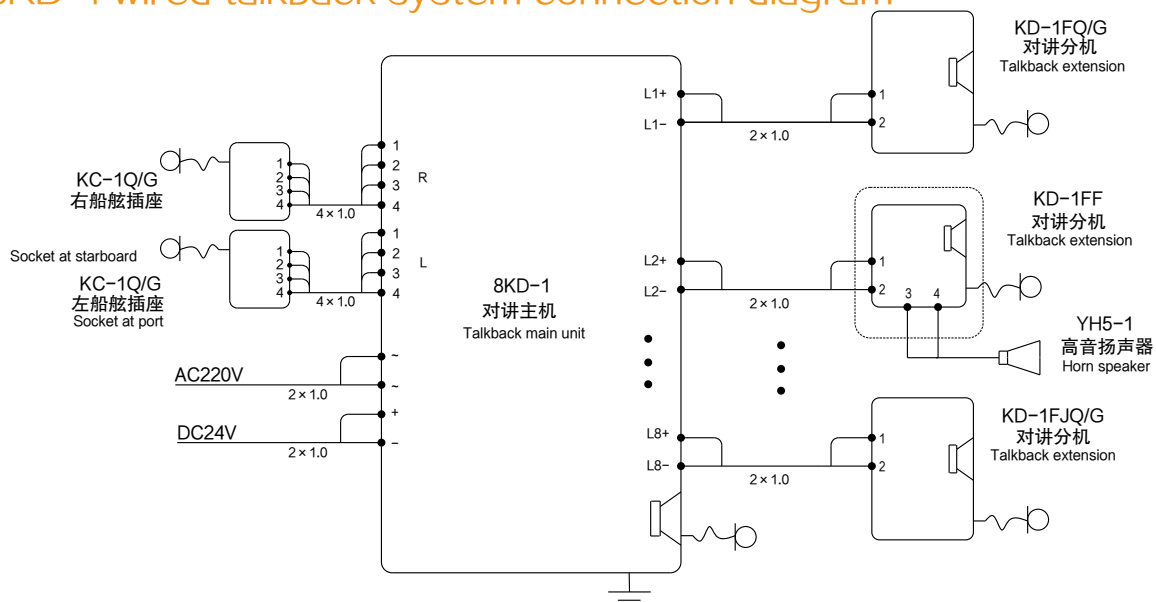
### KD-1FF防风雨对讲分机 Weatherproof talkback extension

额定输出功率Rated output power:  $\geq 1W$   
 杂音电平Noise level:  $\leq -40dB$   
 非线性失真Nonlinear distortion:  $\leq 5\%$   
 频率特性Frequency characteristic: 200Hz~5000Hz  
 相对于800Hz的频率响应为frequency response relative to 800Hz is  $\pm 3dB$   
 颜色Color:海灰色Sea gray (RAL 7035)  
 防护等级 IP class:IP56  
 重量 Weight:2.22Kg  
 填料函进线孔径Stuffing box cable entrance hole size:  $1-\Phi 14mm ; 1-\Phi 18mm$   
 (不锈钢外箱可选)  
 (stainless steel box is optional)

### KD-1FJG抗噪声对讲分机 Noise-proof talkback extension

额定输出功率Rated output power:  $\geq 1W$   
 杂音电平Noise level:  $\leq -40dB$   
 非线性失真Nonlinear distortion:  $\leq 5\%$   
 频率特性Frequency characteristic: 200Hz~5000Hz  
 相对于800Hz的频率响应为frequency response relative to 800Hz is  $\pm 3dB$   
 颜色Color:黑色black (RAL 9005)  
 防护等级 IP class:IP44  
 重量 Weight:2.5Kg  
 填料函进线孔径Stuffing box cable entrance hole size:  $2-\Phi 14mm ;$

### 8KD-1有线对讲系统接线图 8KD-1 wired talkback system connection diagram



## KD-4有线对讲系统

### KD-4 wired talkback system

#### 设备组成 Device Composition

序号 S/N	型号 Model	名称 Name	主要材质 Main material	重量 Weight	防护等级 IP class
1	KD-4ZQ	对讲主机(嵌入式) Talkback main unit(Flush type)	碳钢、合金铝 Carbon steel, Aluminum alloy	2.1Kg	IP 20
2	KD-4FQ	对讲分机(嵌入式) Talkback extension(Flush type)	阻燃ABS Fire retardant ABS	0.8Kg	IP 20
3	KD-4FG	对讲分机(壁挂式) Talkback extension(Wall mount)	阻燃ABS Fire retardant ABS	1.9Kg	IP 44
4	KD-4FF	防风雨对讲分机 Weatherproof talkback extension	阻燃PA Fire retardant PA	2.1Kg	IP 56
5	KD-4FJQ	抗噪声对讲分机(嵌入式) Noise-proof talkback extension(Flush type)	阻燃ABS Fire retardant ABS	1.2Kg	IP 20
6	KD-4FB	防爆对讲分机 Explosion-proof extension	碳钢、合金铝 Carbon steel, Aluminum alloy	2.5Kg	IP 44
7	KD-4FM	接口盒 Interface box	碳钢 Carbon steel	3.88Kg	IP 44
8	K14□EX82R	防爆扬声器(定阻式) Explosion-proof speaker(Resistance type)	合金铝 Aluminum alloy	2.2Kg	IP 66
9	KY-3	电源箱 Power box	碳钢 Carbon steel	9.5Kg	IP 22

### KD-4ZQ对讲主机 Talkback main unit

#### 功能描述

主机与分机双向呼叫及对讲,

最大可外接50门分机

主机具有通拨功能

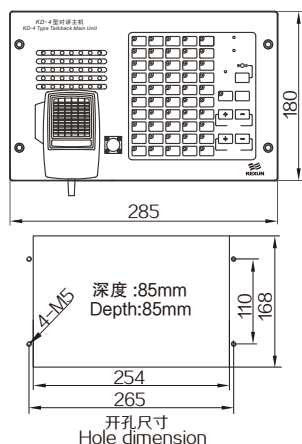
系统中最多允许三台主机和/或分机同时通话

#### Function

Main unit and extension call and talkback each other

Max. 50 extensions can be connected

This system can permit max. three main units and/or extensions to communicate simultaneously



主机失电报警声压级Power failure alarm sound pressure level of main unit:75db-85db

输出音频功率Output audio power r: ≤5W

非线性失真Nonlinear distortion: ≤6%

频率特性Frequency characteristic: 200Hz ~ 5000Hz

相对于800Hz的频率响应为frequency response relative to 800Hz is ± 3dB

呼叫信号为Call signal is 800 ± 100Hz 断续音intermittent tone

容量Capacity: 50 lines

工作电压Operating voltage: DC24V <sup>+30%</sup><sub>-25%</sub>

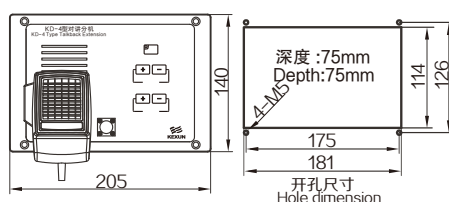
颜色Color:黑色black (RAL 9005)

防护等级 IP class:IP20

重量 Weight:2.1Kg

功耗Power loss: 25W

### KD-4FQ对讲分机Talkback extension



输出功率Output power: ≤5W

非线性失真Nonlinear distortion: ≤10%

工作电压Operating voltage: DC24V <sup>+30%</sup><sub>-25%</sub>

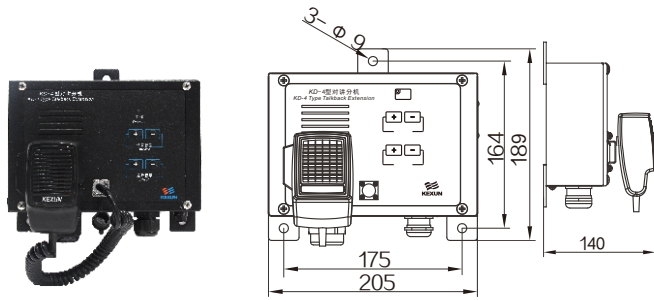
颜色Color:黑色black (RAL 9005)

防护等级 IP class:IP20

重量 Weight:0.8Kg

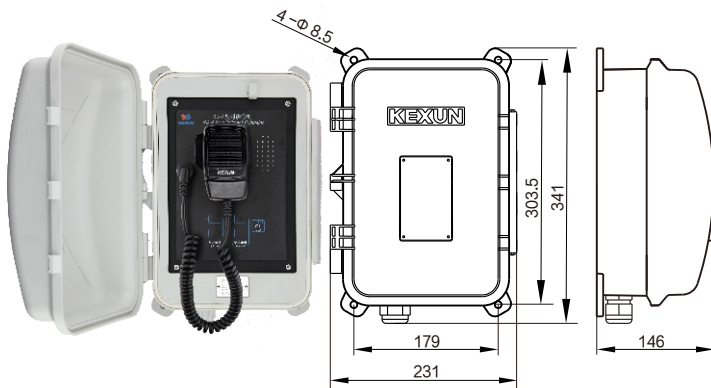
功耗Power loss: 8W

### KD-4FG对讲分机Talkback extension



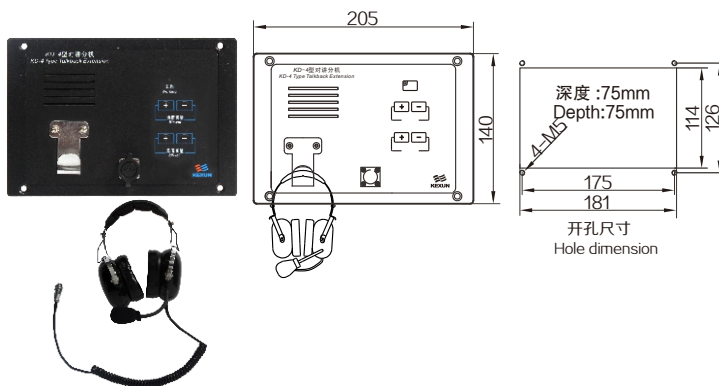
输出功率Output power:  $\leq 5W$   
 非线性失真Nonlinear distortion:  $\leq 10\%$   
 工作电压Operating voltage: DC24V  $^{+30\%}$   
 $^{-25\%}$   
 颜色Color:黑色black (RAL 9005)  
 防护等级 IP class:IP44  
 重量 Weight:1.9Kg  
 功耗Power loss: 8W  
 填料函进线孔径Stuffing box cable entrance hole size:  
 2- $\Phi 14mm$

### KD-4FF防风雨对讲分机Weatherproof talkback extension



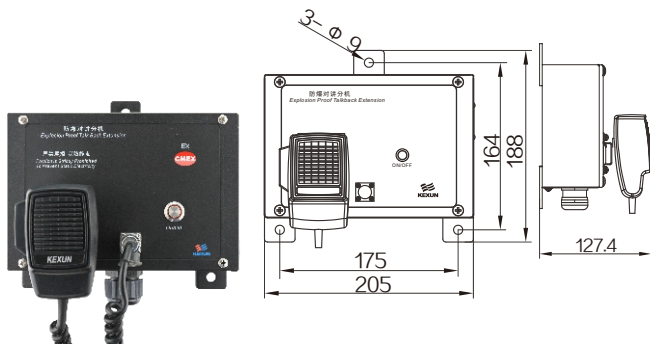
输出功率Output power:  $\leq 5W$   
 非线性失真Nonlinear distortion:  $\leq 10\%$   
 工作电压Operating voltage: DC24V  $^{+30\%}$   
 $^{-25\%}$   
 颜色Color:海灰色Sea gray (RAL 7035)  
 防护等级 IP class:IP56  
 重量 Weight:2.1Kg  
 功耗Power loss:8W  
 填料函进线孔径Stuffing box cable entrance hole size:  
 1- $\Phi 14mm$  ;1- $\Phi 18mm$   
 (不锈钢外箱可选)  
 (stainless steel box is optional)

### KD-4FJQ抗噪声对讲分机Noise-proof talkback extension



输出功率Output power:  $\leq 5W$   
 非线性失真Nonlinear distortion:  $\leq 10\%$   
 工作电压Operating voltage: DC24V  $^{+30\%}$   
 $^{-25\%}$   
 颜色Color:黑色black (RAL 9005)  
 防护等级 IP class:IP20  
 重量 Weight:1.2Kg  
 功耗Power loss: 8W

### KD-4FB防爆对讲分机Explosion-proof talkback extension



防爆等级Explosion-proof class:Exib II B T4 Gb/Exib II CT4  
 填料函进线孔径 Stuffing box cable entrance hole size:  
 1- $\Phi 18mm$ ;  
 关联安全栅Associated safety barrier:KD-4FM  
 颜色Color:黑色black (RAL 9005)  
 防护等级 IP class:IP44  
 重量 Weight:2.5Kg



### KD-4FM接口盒 Interface box

**功能描述**

配防爆对讲机用；  
内置安全栅。

**Function**

For explosion-proof talkback extension  
Built-in safety barrier

电源Power supply: DC24V<sup>+30%</sup><sub>-25%</sub>  
 颜色Color:中绿灰Green gray ( RAL 6034 )  
 防护等级 IP class:IP44  
 重量 Weight:3.88Kg  
 填料函进线孔径 Stuffing box cable entrance hole size: 1-Φ14mm,2-Φ18mm

### KY-3电源箱 Power box

输入电压 Input voltage: AC220V ± 10%  
 DC24V<sup>+30%</sup><sub>-25%</sub>  
 输出电压 Output voltage: DC24V  
 输出功率Output power: 300W  
 颜色Color:中绿灰Green gray ( RAL 6034 )  
 防护等级 IP class:IP22  
 重量 Weight:9.5Kg  
 功耗Power loss: 500W

### KD-4有线对讲系统接线图 KD-4 type wired talkback system connection diagram

