

KG公共广播系统

Public address system

设备组成 Device Composition

序号 S/N	型号 Model	名称 Name	主要材质 Main material	重量 Weight	防护等级 IP class
1	KG-1D	公共广播主机 (50W/100W) Public address system host (50W/100W)	碳钢 Carbon steel	9.5Kg	IP20
2	KG-1T	公共广播主机 (100W/200W/300W) Public address system host (100W/200W/300W)	碳钢 Carbon steel	40Kg	IP20
3	KG-2T	公共广播主机(2×50W/2×100W/2×200W/2×300W) Public address system host(2×50W/2×100W/2×200W/2×300W)	碳钢 Carbon steel	75.34Kg	IP20
4	KG-1ZYQ	公共广播主遥控盒(嵌入式) PA main remote control box(Flush type)	阻燃ABS Fire retardant ABS	1.08Kg	IP20
5	KG-1YQ	公共广播遥控盒(嵌入式) PA remote control box(Flush type)	阻燃ABS Fire retardant ABS	1.22Kg	IP20
6	KG-1YG	公共广播遥控盒(壁挂式) PA remote control box(Wall mount)	阻燃ABS Fire retardant ABS	1.9Kg	IP44
7	KG-1YF	公共广播遥控盒 PA remote control box	阻燃PA66 Fire retardant PA66	2.0Kg	IP56
8	KG-1YB	防爆公共广播遥控盒 Remote control box for PA fo explosive gas atmospheres	碳钢 Carbon steel	1.8Kg	IP44
9	AQ-1	安全栅 Safety barrier	碳钢 Carbon steel	1.8Kg	IP44
10	KC-1Q	左右舷话筒(嵌入式) MIC at port &starboard(Flush type)	阻燃ABS Fire retardant ABS	0.52Kg	IP20
11	KC-1G	左右舷话筒(壁挂式) MIC at port &starboard(Wall mount)	阻燃ABS Fire retardant ABS	0.78Kg	IP44
12	KC-1F	左右舷话筒(防风雨式) MIC at port &starboard(Weatherproof)	阻燃PA66 Fire retardant PA66	1.86Kg	IP56
13	YDC-□Q	扬声器(0.5/1/2/3/5W)(嵌入式) Speaker(0.5/1/2/3/5W)(Flush type)	阻燃ABS Fire retardant ABS	0.88Kg	IP20
14	YDC-□G	扬声器(0.5/1/2/3/5W)(壁挂式) Speaker(0.5/1/2/3/5W)(Wall mount)	阻燃ABS Fire retardant ABS	1.0Kg	IP22
15	YDC-□GB	扬声器(0.5/1/2W)(壁挂式) Speaker(0.5/1/2W)(Wall mount)	阻燃ABS Fire retardant ABS	0.6Kg	IP22
16	YDC-□AQ	扬声器(0.5/1/2/3/5W)(嵌入式) Speaker(0.5/1/2/3/5W)(Flush type)	阻燃ABS Fire retardant ABS	0.6Kg	IP20
17	YDC-□AG	扬声器(0.5/1/2/3/5W)(壁挂式) Speaker(0.5/1/2/3/5W)(Wall mount)	阻燃ABS Fire retardant ABS	0.8Kg	IP44
18	YDC-□D	扬声器(0.5/1/2/3/5W)(嵌入式) Speaker(0.5/1/2/3/5W)(Flush type)	阻燃ABS Fire retardant ABS	0.86Kg	IP55
19	YDC-□DF	扬声器(0.5/1/2W)(嵌入式) Speaker(0.5/1/2W)(Flush type)	阻燃ABS Fire retardant ABS	0.48Kg	IP55
20	YDC-□FG	扬声器(0.5/1/2/3/5W)(壁挂式) Speaker(0.5/1/2/3/5W)(Wall mount)	阻燃ABS Fire retardant ABS	0.8Kg	IP56
21	YL-1	音量调节盒 Volume control box	阻燃ABS Fire retardant ABS	0.1Kg	IP20
22	YDC-□S	扬声器(1/2/3/5W) Speaker(1/2/3/5W)	阻燃ABS Fire retardant ABS	1.1Kg	IP22
23	YHC□-1	号筒扬声器 (5W/10W/15W/25W/50W/100W/200W) Horn speaker (5W/10W/15W/25W/50W/100W/200W)	阻燃PC/SMC Fire retardant PC/SMC	1.36/2.1/11.16Kg	IP56
24	K14□EX□	防爆扬声器 (0.5/1/2/3/5/10/15/25W) Explosion-proof speaker (0.5/1/2/3/5/10/15/25W)	铝合金 Aluminium alloy	3.86Kg	IP 66
25	KT-2K	嵌入式电动转台控制器 Flush type electric turntable controller	碳钢 Carbon steel	1.5Kg	IP20
26	KT-2Z	扬声器电动遥控转台 Electric remote control speaker turntable	碳钢 Carbon steel	18Kg	IP56
27	FSX-2N	防风雨箱 Weatherproof box	不锈钢 Stainless steel	6Kg	IP 56

公共广播主机 Public address system host

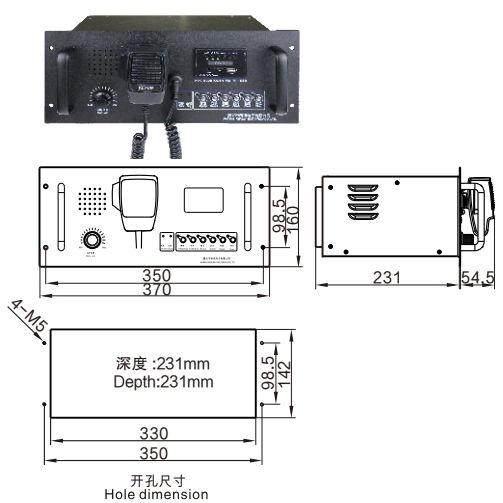
功能描述

遥控：可外接遥控盒实现遥控广播功能。
 对讲：与对讲分机可实现双向对讲。
 报警：具备与通用报警系统的接口，可接收来自通用报警系统的报警信号。
 输出：具有喊话、舱内、舱面、岗位输出，其中舱内、岗位具有强制全音量输出功能。
 保护：具有输出短路、过载保护功能。
 娱乐：自带MP3播放器，并可接收FM广播。
 KG-1T/2T:对讲功能：遥控盒之间具有双向对讲功能。最多可接6路遥控盒。

Function

Remote control: remote control broadcast can be achieved by connected remote control box
 Talkback: mutual talkback can be carried out with remote control box.
 Alarm: It has interface to general alarm system, which can receive alarm signal from general alarm system.
 Output: It has outputs of shout, cabin, deck and post; hereinto, cabin and post has forced full volume output function.
 Protection: It is protected from output short circuit and overload.
 Entertainment: with MP3 player, can receive FM radio.
 KG-1T/2T:When shout speaker is working, other speakers will be closed forcedly.Talkback function: mutual talkback between remote control boxes
 Maximum six remote control boxes could be connected.

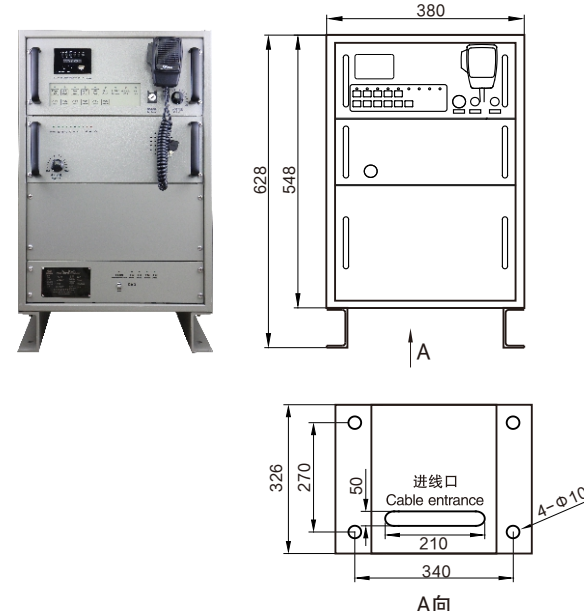
KG-1D公共广播主机 Public address system host



非线性失真Nonlinear distortion: $\leq 7\%$
 信噪比Signal to noise ratio: $\geq 46\text{dB}$
 输出功率Output power:50W/100W
 收音频率范围Receiving frequency range:FM87 ~ 108MHz
 灵敏度Sensitivity: FM $\leq 20\mu\text{V}$
 放音频响Play frequency response:150Hz ~ 5KHz $\pm 2\text{dB}$
 主电源Main power:AC220V $\pm 10\%$
 应急电源Emergency power:DC24V $\begin{matrix} +30\% \\ -25\% \end{matrix}$
 颜色Color:黑色black (RAL 9005)
 防护等级 IP class:IP20
 重量 Weight:9Kg
 功耗Power loss:100W/200W

开孔尺寸
Hole dimension

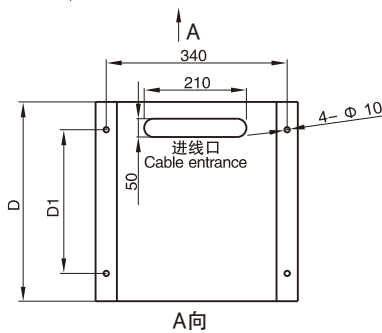
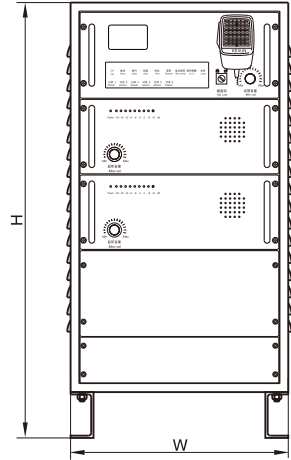
KG-1T型公共广播主机 Public address system host



非线性失真Nonlinear distortion: $\leq 7\%$
 信噪比Signal to noise ratio: $\geq 46\text{dB}$
 放音频响Play frequency response:150Hz ~ 5KHz $\pm 2\text{dB}$
 输出功率Output power:50W/100W/200W/300W
 收音频率范围Receiving frequency range:FM87 ~ 108MHz
 灵敏度Sensitivity: FM $\leq 20\mu\text{V}$
 主电源Main power:AC220V $\pm 10\%$
 应急电源Emergency power: DC24V $\begin{matrix} +30\% \\ -25\% \end{matrix}$
 颜色Color:海灰色Sea gray (RAL 7035)
 防护等级 IP class:IP20
 重量 Weight:40Kg
 功耗Power loss: 100W/200W/300W

进线口
Cable entrance

KG-2T型公共广播主机 Public address system host



非线性失真 Nonlinear distortion: $\leq 7\%$
 信噪比 Signal to noise ratio: $\geq 46\text{dB}$
 放音频响 Play frequency response: $150\text{Hz} \sim 5\text{KHz} \pm 2\text{dB}$
 输出功率 Output power: $2 \times 50\text{W} / 2 \times 100\text{W} / 2 \times 200\text{W} / 2 \times 300\text{W}$
 收音频率范围 Receiving frequency range: $\text{FM} 87 \sim 108\text{MHz}$
 灵敏度 Sensitivity: $\text{FM} \leq 20\mu\text{V}$
 主电源 Main power: 两路 two lines $\text{AC} 220\text{V} \pm 10\%$
 应急电源 Emergency power: 两路 two lines $\text{DC} 24\text{V} \begin{matrix} +30\% \\ -25\% \end{matrix}$
 颜色 Color: 海灰色 Sea gray (RAL 7035)
 防护等级 IP class: IP20
 重量 Weight: 46Kg
 功耗 Power loss: $200\text{W} / 400\text{W} / 800\text{W} / 1200\text{W}$

安装尺寸 Mounting size

输出功率 Output power	H	W	D	D1
2x50W	760	380	325	220
2x100W	760	380	325	220
2x200W	760	380	325	220
2x300W	760	380	375	270

公共广播遥控盒 PA remote control

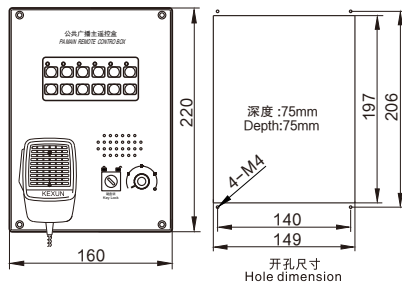
功能描述

遥控盒可对广播主机进行广播喊话。
 遥控盒与广播主机，或遥控盒之间均可进行双向对讲。
 遥控盒键盘带指示功能。
 主遥控盒可外接左右话筒筒。

Function

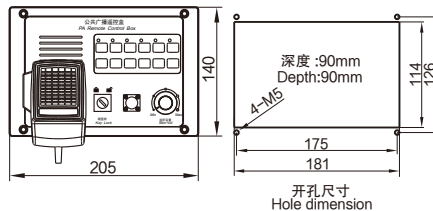
Broadcast announce can be carried out by remote control box.
 Mutual talkback can be carried out between remote control box and PA main unit as well as among remote control boxes.
 The keyboard of remote control box has function of indication.
 Main remote control box can be connected with MIC at port & starboard.

KG-1ZYQ公共广播主遥控盒 PA main remote control



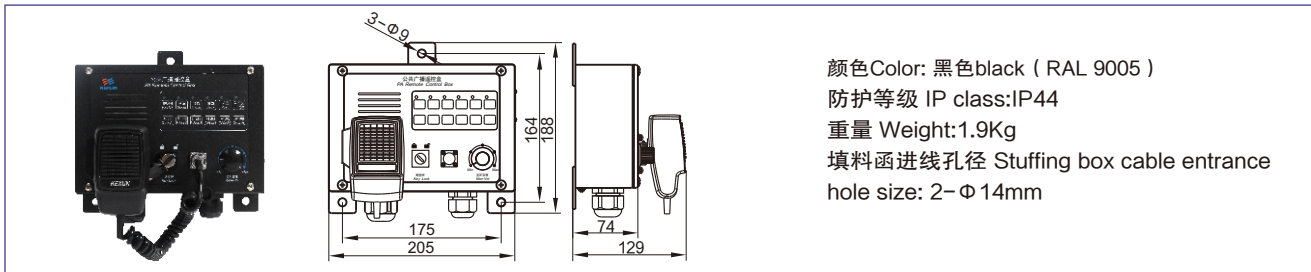
颜色 Color: 黑色 black (RAL 9005)
 防护等级 IP class: IP20
 重量 Weight: 1.08Kg

KG-1YQ公共广播遥控盒 PA remote control box



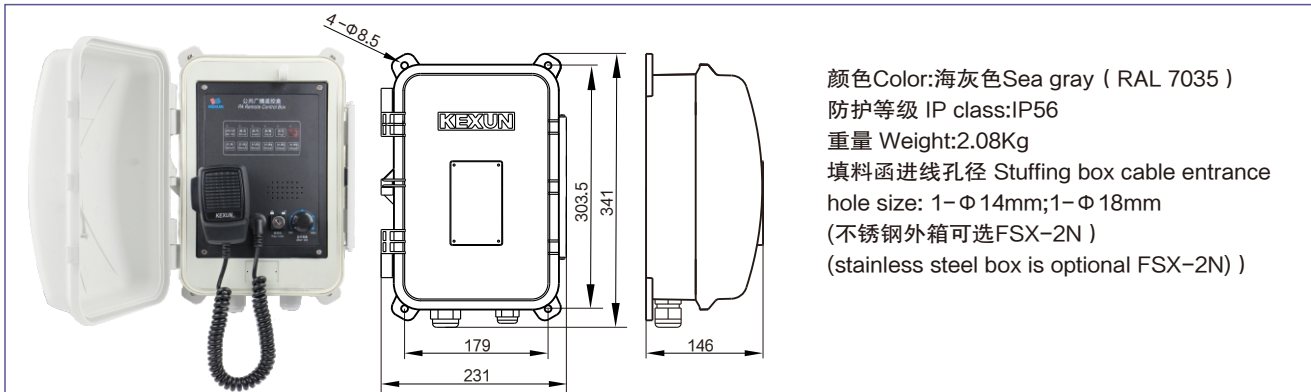
颜色 Color: 黑色 black (RAL 9005)
 防护等级 IP class: IP20
 重量 Weight: 1.22Kg

KG-1YG公共广播遥控盒 PA remote control box



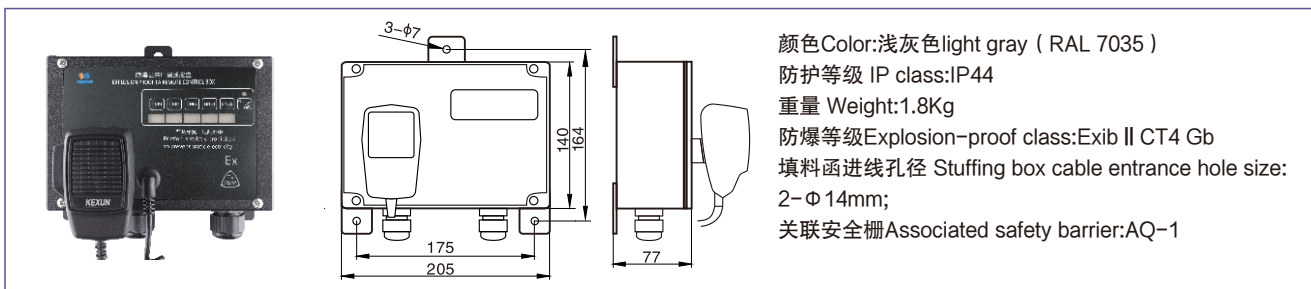
颜色Color: 黑色black (RAL 9005)
 防护等级 IP class:IP44
 重量 Weight:1.9Kg
 填料函进线孔径 Stuffing box cable entrance hole size: 2- Φ 14mm

KG-1YF公共广播遥控盒 PA remote control box



颜色Color:海灰色Sea gray (RAL 7035)
 防护等级 IP class:IP56
 重量 Weight:2.08Kg
 填料函进线孔径 Stuffing box cable entrance hole size: 1- Φ 14mm;1- Φ 18mm
 (不锈钢外箱可选FSX-2N)
 (stainless steel box is optional FSX-2N)

KG-1YB防爆公共广播遥控盒 Remote control box for PA fo explosive gas atmospheres



颜色Color:浅灰色light gray (RAL 7035)
 防护等级 IP class:IP44
 重量 Weight:1.8Kg
 防爆等级Explosion-proof class:Exib II CT4 Gb
 填料函进线孔径 Stuffing box cable entrance hole size:
 2- Φ 14mm;
 关联安全栅Associated safety barrier:AQ-1

左右舷话筒 MIC at port and starboard

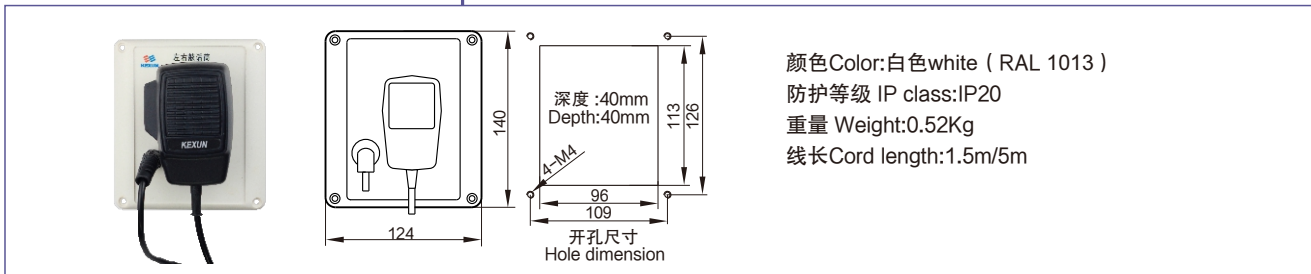
功能描述

左右舷话筒安装于驾驶室两翼，是主遥控盒手持话筒的延伸。

Function

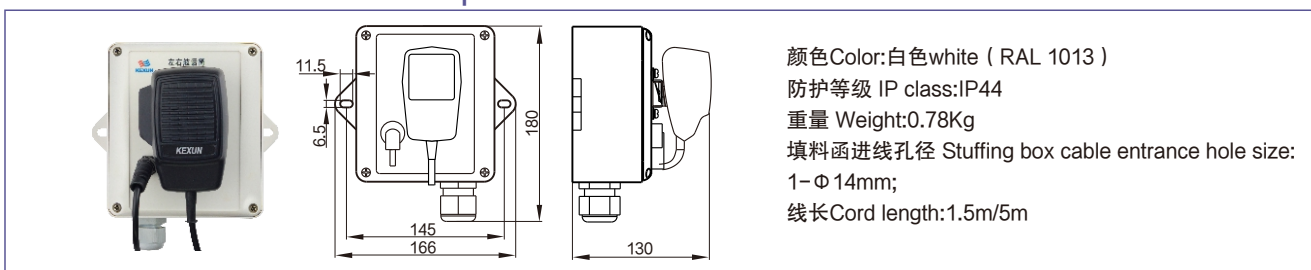
MIC at port &starboard is located on bridge wings and serves as extension of MIC on main remote control box.

KC-1Q左右舷话筒 MIC at port and starboard



颜色Color:白色white (RAL 1013)
 防护等级 IP class:IP20
 重量 Weight:0.52Kg
 线长Cord length:1.5m/5m

KC-1G左右舷话筒 MIC at port and starboard



颜色Color:白色white (RAL 1013)
 防护等级 IP class:IP44
 重量 Weight:0.78Kg
 填料函进线孔径 Stuffing box cable entrance hole size:
 1- Φ 14mm;
 线长Cord length:1.5m/5m

KC-1F左右舷话筒MIC at port and starboard

颜色Color:海灰色Sea gray (RAL 7035)
 防护等级 IP class:IP56
 重量 Weight:1.86Kg
 填料函进线孔径 Stuffing box cable entrance hole size:1-Φ18mm
 (不锈钢外箱可选FSX-2N)
 (stainless steel box is optional FSX-2N)

扬声器 Speaker

功能描述

带短路保护用熔断器。
 定压120V输入。
 带全音量功能。
 □—表示功率。

Function

With fuse for short circuit protection.
 Constant voltage input: 120V.
 With full volume function.
 □--power.

额定输出功率及声压级Rated output power and sound pressure level:
 0.5W/78dB ± 3dB 1W/80dB ± 3dB 2W/84dB ± 3dB
 3W/87dB ± 3dB 5W/92dB ± 3dB

YDC-□Q扬声器 Speaker

深度 :49mm
Depth:49mm
开孔尺寸
Hole dimension

颜色Color: 白色White (RAL 1013)
 防护等级 IP class:IP20
 重量 Weight:1.1Kg

YDC-□G扬声器 Speaker

颜色Color: 白色White (RAL 1013)
 防护等级 IP class:IP22
 重量 Weight:1.04Kg

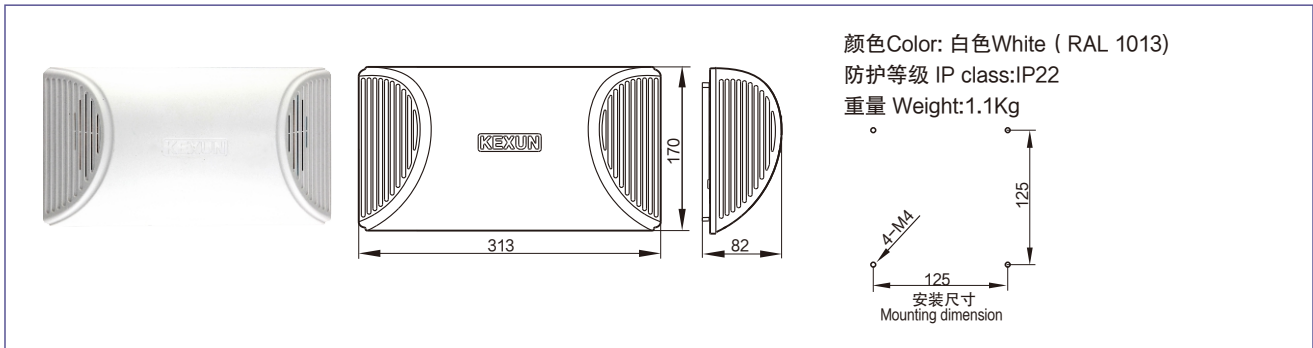
YDC-□GB扬声器 Speaker

颜色Color: 白色White (RAL 1013)
 防护等级 IP class:IP22
 重量 Weight:0.6Kg

YDC-□AG扬声器 Speaker

颜色Color: 白色White (RAL 1013)
 防护等级 IP class:IP44
 重量 Weight:0.8Kg
 填料函进线孔径 Stuffing box cable entrance hole size: 2-Φ14mm;

YDC-□S扬声器 Speaker



扬声器Speaker

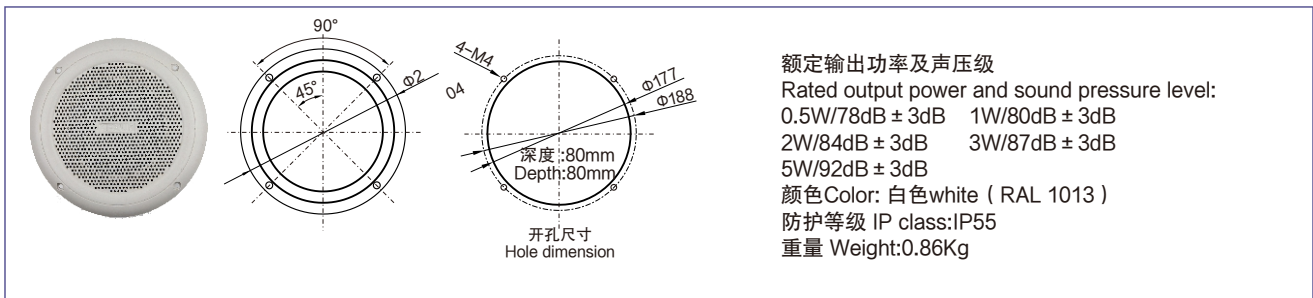
功能描述

单独使用时音量不可以调节。
配音量控制盒后，可以调节音量。
二线制输入。
带短路保护熔断器。
可用于房间及卫生单元。
□—表示功率。

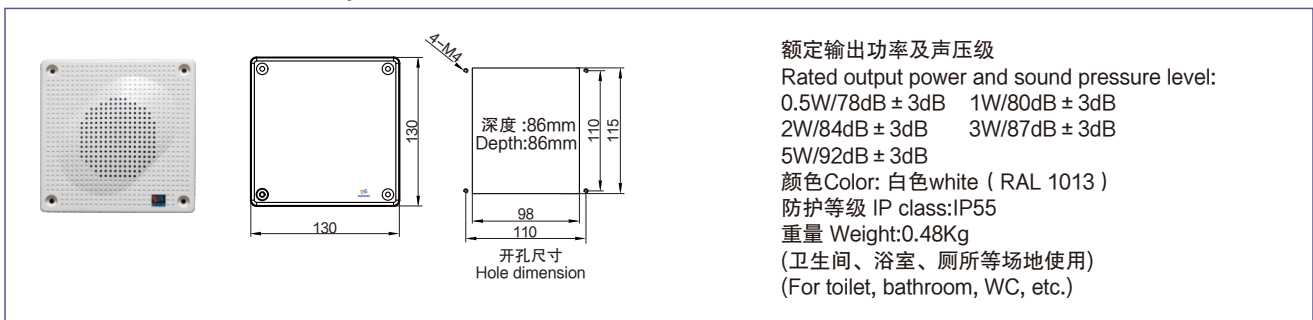
Function

Volume is not adjustable when used solely.
Volume is adjustable when used with volume control box together.
Two wires input.
With fuse for short circuit protection.
For cabin and toilet unit.
□--power.

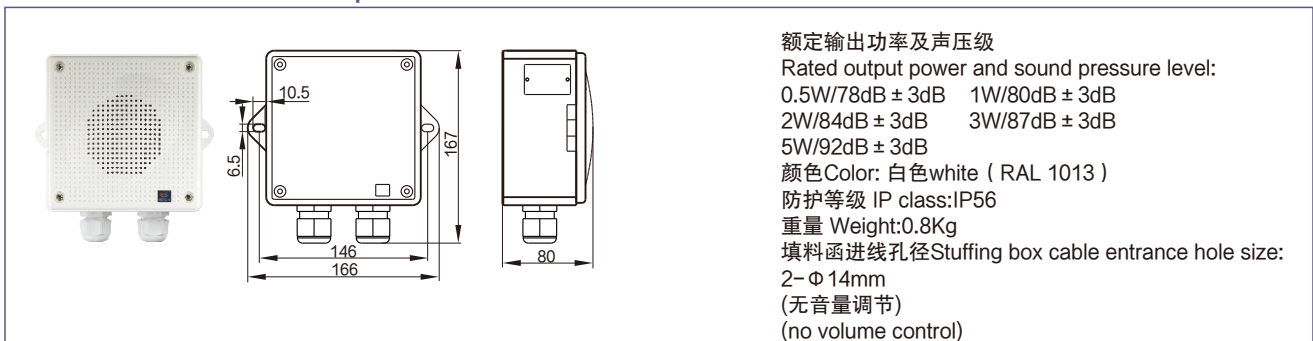
YDC-□D扬声器 Speaker



YDC-□DF扬声器 Speaker



YDC-□FG扬声器 Speaker



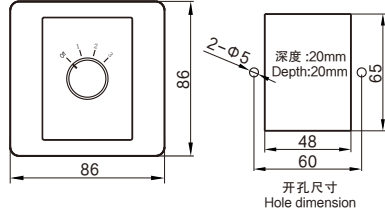
YL-1音量调节盒 Volume control box

功能描述

嵌入式安装，用于两线制吸顶式扬声器的音量调节。
带全音量输出功能。
定压120V输入。

Function

Flush type, for two-wire system ceiling speaker to control the volume.
Full volume output.
Constant voltage input: 120V.



颜色Color:白色white (RAL 1013)
防护等级 IP class:IP20
重量 Weight:0.1Kg
功耗Power loss: ≤5W
音量调节档位Volume control:0/1/2/3
与YDC-□D吸顶扬声器配接
Matched with YDC- D ceiling speaker

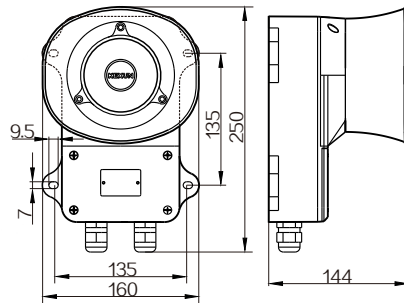
YHC□-1号筒扬声器 Horn speaker

功能描述

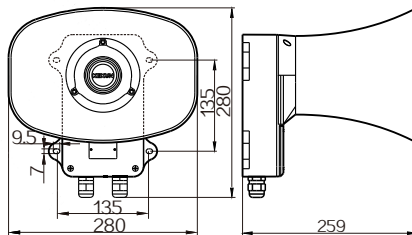
带短路保护熔断器。
定压120V输入。
二线制输入。

Function

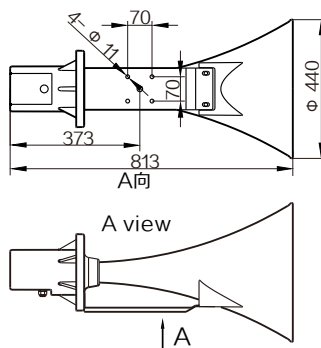
With fuse for short circuit protection.
Constant voltage input: 120V.
Two wires input.



额定输出功率及声压级
Rated output power and sound pressure level:
YHC5-1 5W/105dB ± 3dB
YHC10-1 10W/109dB ± 3dB
颜色Color:海灰色Sea gray (RAL 7035)
防护等级 IP class:IP56
重量 Weight:1.6Kg
填料函进线孔径Stuffing box cable entrance hole size:
2-Φ14mm



额定输出功率及声压级
Rated output power and sound pressure level:
YHC15-1 15W/114dB ± 3dB
YHC25-1 25W/117dB ± 3dB
颜色Color:海灰色Sea gray (RAL 7035)
防护等级 IP class:IP56
重量 Weight:1.9Kg
填料函进线孔径Stuffing box cable entrance hole size:
2-Φ14mm



额定输出功率及声压级
Rated output power and sound pressure level:
YHC50-1 50W/120dB ± 3dB
YHC100-1 100W/123dB ± 3dB
YHC200-1 200W/126dB ± 3dB
颜色Color:白色White (RAL 1013)
防护等级 IP class:IP56
重量 Weight:11Kg
填料函进线孔径Stuffing box cable entrance hole size:
1-Φ14mm
随机1m电缆 (安装时需要配水密接线盒)
Random 1m cable (watertight junction box is required for installation)

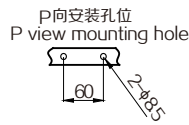
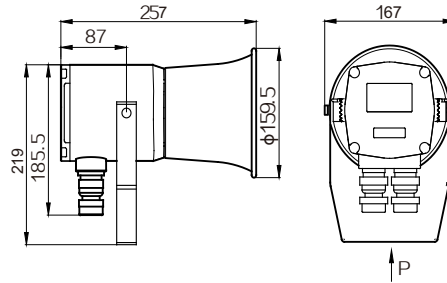
K14□EX□防爆扬声器 Explosion-proof speaker

功能描述

防爆扬声器安装在有防爆要求的场所。
采用隔爆设计。
多种输入方式。
带短路保护熔断器。

Function

Explosion-proof installed in the hazardous area.
Explosion suppression design.
Multiple input modes.
With fuse for short circuit protection.



输入Input:定压voltage constant 70V/100V/120V
定阻Resistance constant 8Ω

功率Power:0.5W/1W/2W/3W/5W/10W/15W/25W

颜色Color: 红色red (RAL3020)

防护等级 IP class:IP66

重量 Weight:2.2Kg

防爆等级Explosion-proof class:Exd II BT5 Gb

Ex II 2G d II B T5 Gb

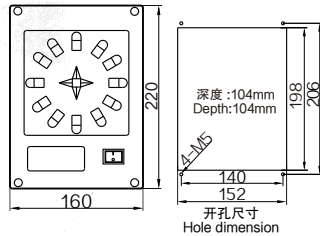
环境温度Environment temperature:-25°C ~ +55°C

填料函进线孔径Stuffing box cable entrance
hole size:1-Φ 14.5mm

K14□EX□型

01~08对应功率: 70V,100V,120V,8R
0.5W/1W/2W/3W/
5W/10W/15W/25W

KT-2K嵌入式电动转台控制器 Flush type electric turntable controller



供电电源: DC24V (4A)

转角角度: 左旋150° (分左30°、左60°、
左90°、左120°、左150°、共转五挡)
右旋150° (分右30°、右60°、
右90°、右120°、右150°、共转五挡)

颜色:黑色 (RAL 9005)

防护等级:IP20

重量:1.5Kg

Power supply: DC24V(4A)

Rotary angle: anticlockwise 150° (five shifts as 30°、60°、
90°、120°、150°)
clockwise 150° (five shifts as 30°、60°、
90°、120°、150°)

Color:black (RAL 9005)

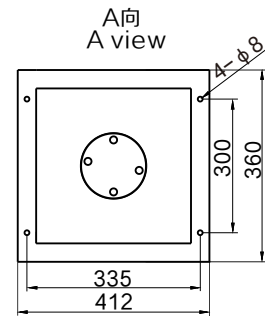
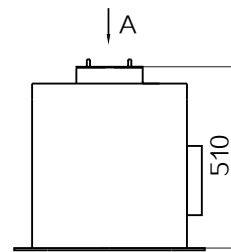
IP class:IP20

Weight:1.5Kg

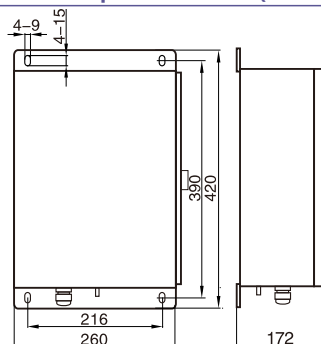
KT-2Z扬声器电动遥控转台 Electric remote control speaker turntable



转动速度: 6° /秒
转台承重: 22Kg
颜色:海灰色 (RAL 7035)
防护等级:IP56
重量:1.6Kg
Rotary speed: 6° /second
Weight capacity of turntable: 22Kg
Color:Sea gray (RAL 7035)
IP class:IP56
Weight:1.6Kg



FSX-2N防风雨箱 Weatherproof box(可选/Option)



颜色 Color: 海灰色Sea gray (RAL 7035)

防护等级 IP class:IP56

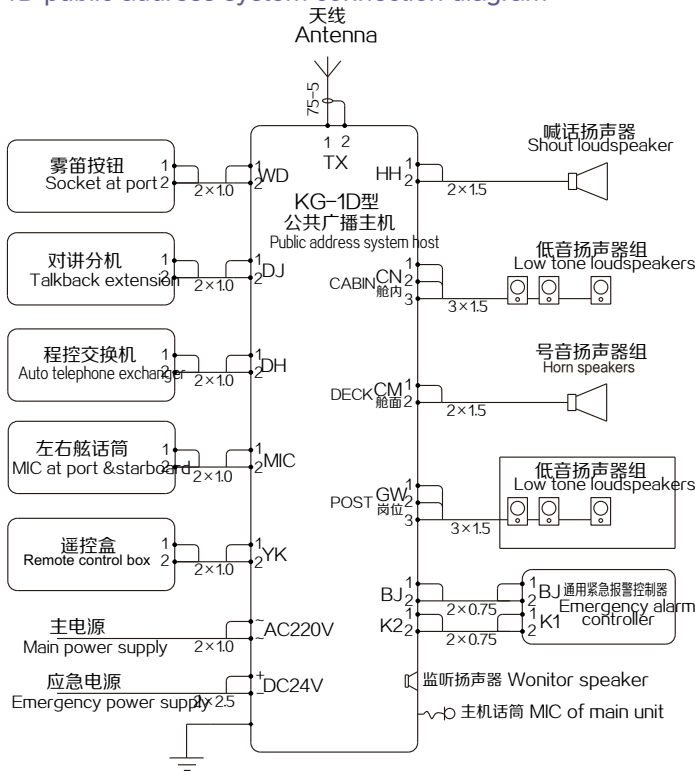
重量 Weight:6Kg

填料函进线孔径 Stuffing box cable entrance hole size:
1-Φ 18mm

适用于KG-1YF公共广播遥控盒

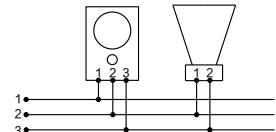
Applied to KG-1YF PA remote control box

KG-1D公共广播系统接线示意图
KG-1D public address system connection diagram

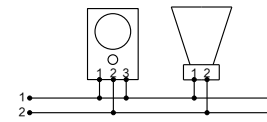


广播主机的两线/三线输出与两线喇叭/三线喇叭的对应接线方式图
Loudner speaker wiring connection method

来自广播主机（舱内/岗位）
From public address system host (inner cabin/post)

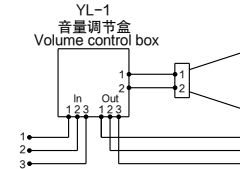


来自广播主机（舱内）
From public address system host (deck)

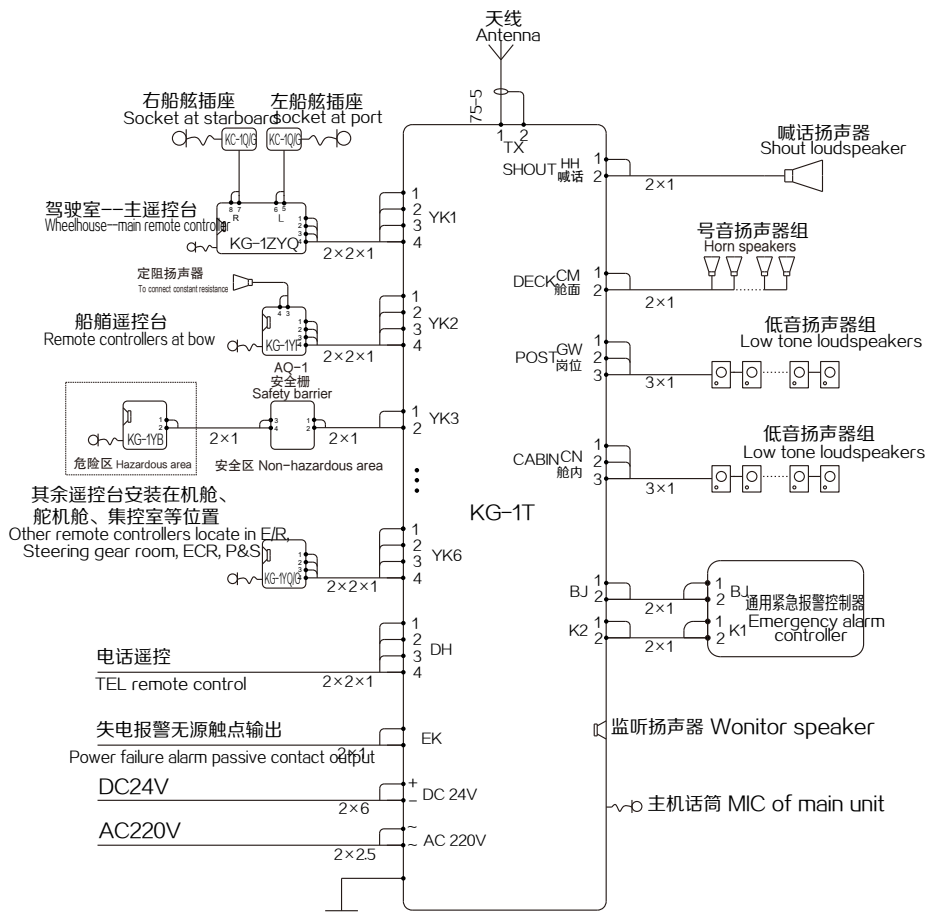


带音量调节盒扬声器接线方式图
With volume control box loudspeaker wiring diagram

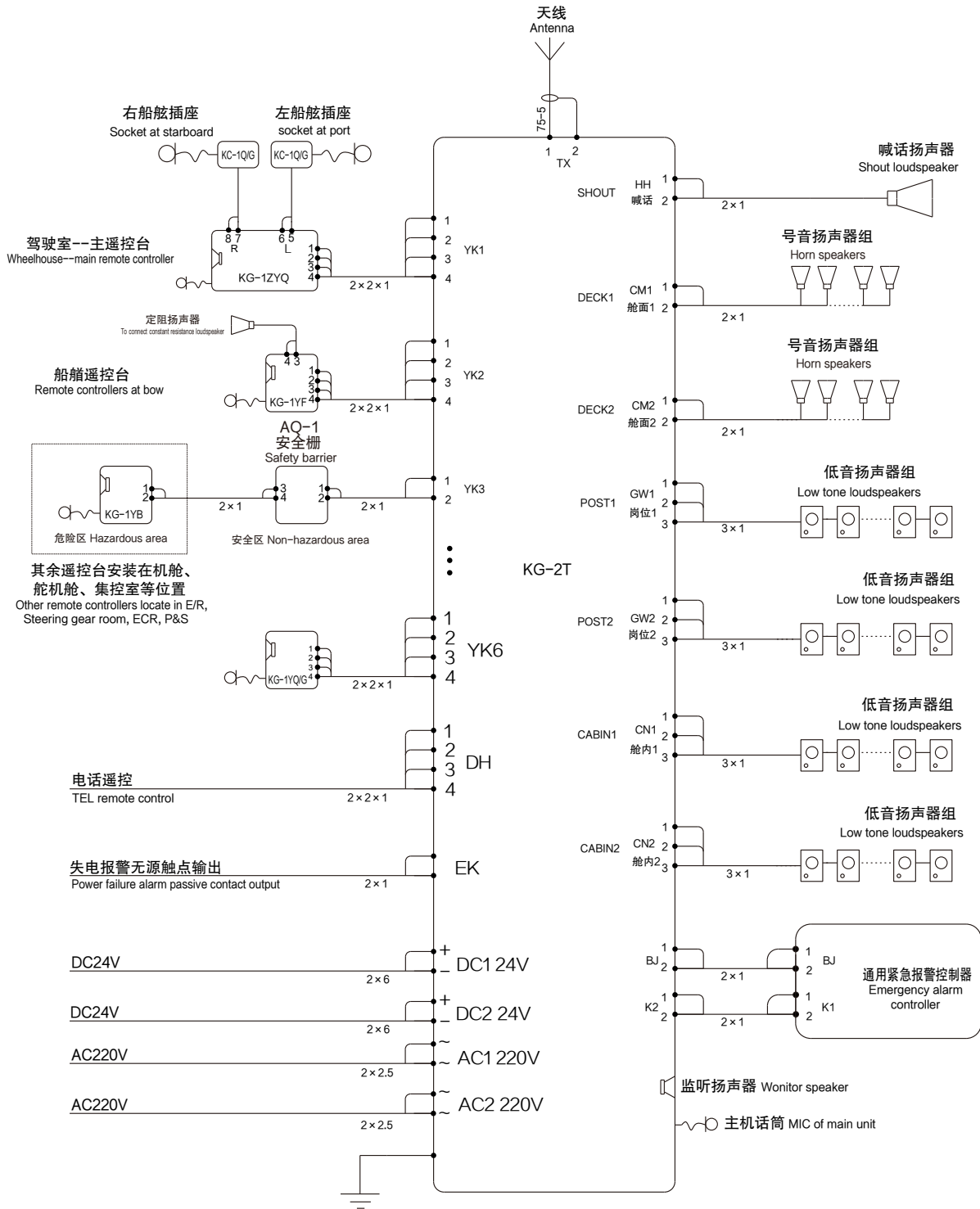
With volume control box loudspeaker wiring diagram



KG-1T公共广播系统接线示意图
KG-1T public address system connection diagram



KG-2T公共广播系统接线示意图
KG-2T public address system connection diagram



KG-4公共广播系统 Public address system 设备组成 Device Composition

序号 S/N	型号 Model	名称 Name	主要材质 Main material	重量 Weight	防护等级 IP class
1	KG-4	公共广播主机 Public address system host	碳钢 Carbon steel	97Kg	IP 20
2	KG-4T	公共广播主机 Public address system host	碳钢 Carbon steel	97Kg	IP 20
3	KG-4ZYQ	公共广播主遥控盒(嵌入式) PA main remote control box (Flush type)	碳钢、合金铝 Carbon steel, Aluminum alloy	2.1Kg	IP 20
4	KG-4YQ	公共广播遥控盒(嵌入式) PA remote control box (Flush type)	阻燃ABS Fire retardant ABS	0.8Kg	IP 20
5	KG-4YG	公共广播遥控盒(壁挂式) PA remote control box (Wall mount)	阻燃ABS Fire retardant ABS	1.2Kg	IP 44
6	KG-4YF	公共广播遥控盒 PA remote control box	阻燃PA66 Fire retardant PA66	2.0Kg	IP 56
7	KG-1YB	防爆公共广播遥控盒 Remote control box for PA fo explosive gas atmospheres	碳钢 Carbon steel	1.8Kg	IP 44
8	KG-4BX	防爆接口模块 Explosion-proof interface module	碳钢 Carbon steel	3.2Kg	IP 44
9	KG-4M	电话接口模块 Telephone interface module	阻燃ABS Fire retardant ABS	0.9Kg	IP 44

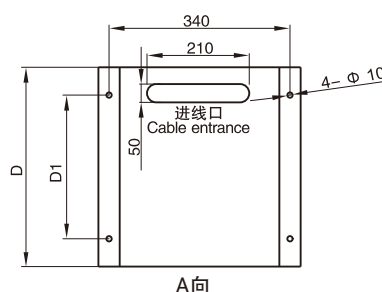
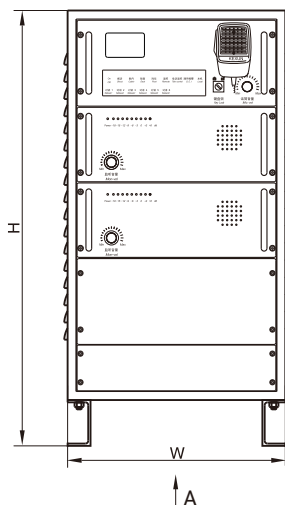
功能描述

本广播主机为双功放输出，每个功放输出带短路保护和过载保护；
两路功放具有独立的Line1、Line2、Line3、Line4、Line5五路线路输出；
Line1工作时，其他四路输出强制关闭；
全通开启时，Line2、Line3、Line4、Line5四路线路同时输出；
支持AUX外部音源接入；
紧急情况下，可以选择强制全音量输出；
各重要区域可配置遥控盒，本主机最多支持16路；
带对讲功能，主机与遥控盒之间可以双向对讲；
带有键盘锁功能；
主机带调频收音功能，支持DVD/CD（选配）；
主机可显示通用紧急报警、火警、占线、电源故障、键盘锁；
主电源与应急电源自动转换。
适用于客船等各类船舶和海工平台。

Function

This Public address system host has double power amplifier outputs and each power amplifier output is equipped with short circuit protection box for overload protection;
Two power amplifiers have independent five line outputs such as Line1, Line2, Line3, Line4 and Line5;
When Line1 is working, other four lines are forcedly closed;
When activate ALL ON, Line2, Line3, Line4 and Line5 will simultaneously give output;
Support AUX sound source access;
In case of emergency, forced full volume output is available;
PA remote control box is located in strategic locations and this main unit can be connected with 16 lines;
Talkback function: mutual talkback can be carried out between main unit and PA remote control box;
Main unit has FM radio function and can support DVD/CD(Optional);
Key lock function;
Main unit can show general emergency alarm, fire alarm, busy, power fault and key lock;
Auto switchover between main power supply and emergency power supply
It is applied to passenger ship, various ships and offshore platforms.

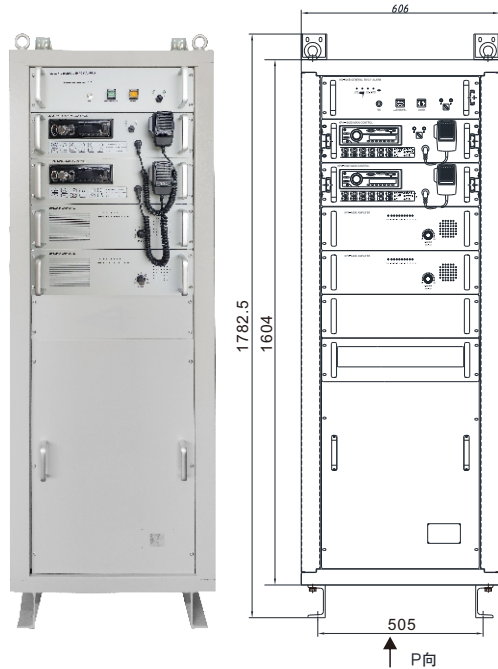
KG-4T (适用于小型客船) (for mall passenger vessel)



安装尺寸 Mounting size

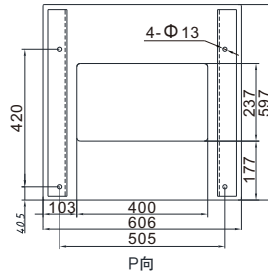
输出功率 Output power	H	W	D	D1
2x50W	760	380	325	220
2x100W	760	380	325	220
2x200W	760	380	325	220
2x300W	760	380	375	270

KG-4 (适用客船/邮轮/平台)
(for passenger vessel/cruise ship/platform)



技术参数 Technical parameter

非线性失真 Nonlinear distortion: $P_{out}=f_0=1\text{KHz}$: $\leq 10\%$
 信号噪声比 Signal to noise ratio: $\geq 46\text{dB}$
 频率响应 Frequency response: $150\text{Hz} \sim 5\text{KHz} \pm 2\text{dB}$
 输入信号 Input signal: $0.7\text{V} \pm 0.1\text{V}$
 输出电压 Output voltage: $120\text{V} \pm 5\text{V}$
 输出功率 Output power: $2 \times 100\text{W}$, $2 \times 200\text{W}$, $2 \times 300\text{W}$, $2 \times 500\text{W}$,
 $2 \times 1000\text{W}$, $2 \times 2000\text{W}$
 收音频率范围 Radio frequency range: $\text{FM}87.5\text{MHz} \sim 108\text{MHz}$
 主电源 Main power supply: $\text{AC}220\text{V} \pm 10\%$
 应急电源 Emergency power supply: $\text{AC}220\text{V} \pm 10\%/\text{DC}24\text{V}^{+30\%/-25\%}$
 颜色 Color: 海灰色 Sea gray (RAL7035)
 防护等级 IP class: IP22
 重量 Weight: 97Kg
 功耗 Power loss: $200\text{W}/400\text{W}/600\text{W}/1000\text{W}/2000\text{W}/4000\text{W}$



控制器 Controller	功率放大器 Power amplifier	机柜 Cabinet	输出功率 Output power
KPA-1002	KPA-A100	CAB-1600	2X100W
KPA-1002	KPA-A200	CAB-1600	2X200W
KPA-1002	KPA-A300	CAB-1600	2X300W
KPA-1003	KPA-A500	CAB-1600	2X500W
KPA-1003	KPA-A1000	CAB-1600	2X1000W
KPA-1003	KPA-A2000	CAB-1600A	2X2000W

公共广播遥控盒 PA remote control

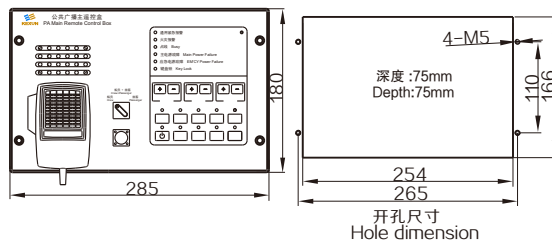
功能描述

可遥控广播单路或多路输出;
 遥控盒之间具有双向对讲功能;
 具有话筒音量调节和监听音量调节功能;
 带有键盘锁功能;
 报警状态下, 主遥控盒可以切断报警信号进行全船紧急讲话;
 主遥控盒可显示通用紧急报警、火警、占线、电源故障、
 键盘锁功能;
 主遥控盒具有夜光功能, 且指示灯亮度可调节;
 带有左右舷话筒接口。

Function

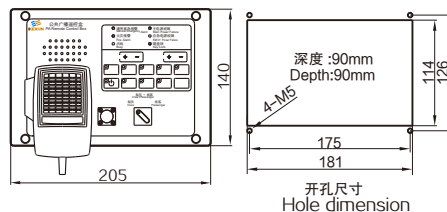
Remote control boardcasting, single-way or multiway output;
 Mutual talkback can be carried out between PA remote control boxes;
 MIC volume control and monitor volume control function;
 Key lock function;
 During alarm, this PA remote control box can interrupt alarm signal for emergency announce to the whole ship;
 Main remote control box can show general emergency alarm, fire alarm, busy, power fault and key lock;
 Night light function and the brightness of indicator light can be adjusted;
 It has interface for MIC at port & startboard.

KG-4ZYQ公共广播主遥控盒 PA main remote control



颜色 Color: 黑色 black (RAL 9005)
 防护等级 IP class: IP20
 重量 Weight: 2.18Kg

KG-4YQ公共广播遥控盒 PA remote control box



颜色 Color: 黑色 black (RAL 9005)
 防护等级 IP class: IP20
 重量 Weight: 1.18Kg

KG-4YG公共广播遥控盒 PA remote control box

技术参数 Technical parameter
 颜色Color: 黑色black (RAL 9005)
 防护等级 IP class:IP44
 重量 Weight:1.2Kg
 填料函进线孔径 Stuffing box cable entrance hole size: 2-Φ 14mm

KG-4YF防风雨公共广播遥控盒Weatherproof PA remote control box

技术参数 Technical parameter
 颜色Color:海灰色Sea gray (RAL 7035)
 防护等级 IP class:IP56
 重量 Weight:2.1Kg
 填料函进线孔径 Stuffing box cable entrance hole size: 1-Φ 14mm;1-Φ 18mm
 (不锈钢外箱可选)
 (stainless steel box is optional)

KG-4BX防爆接口模块 Explosion-proof interface module

功能描述

配广播防爆遥控盒用;
内置安全栅。

Function

For explosion-proof PA remote control box
Built-in safety barrier

内置AQ-1安全栅Built-in AQ-1 safety barrier
 防爆标志 Explosion-proof mark: [EXib]IIC Gb
 电源Power supply: DC24V ^{+30%}/_{-25%}
 颜色Color:中绿灰Green gray (RAL 6034)
 防护等级 IP class:IP44
 重量 Weight:4Kg
 填料函进线孔径 Stuffing box cable entrance hole size: 2-Φ 14mm,1-Φ 18mm

KG-4M电话接口模块 Telephone interface module

功能描述

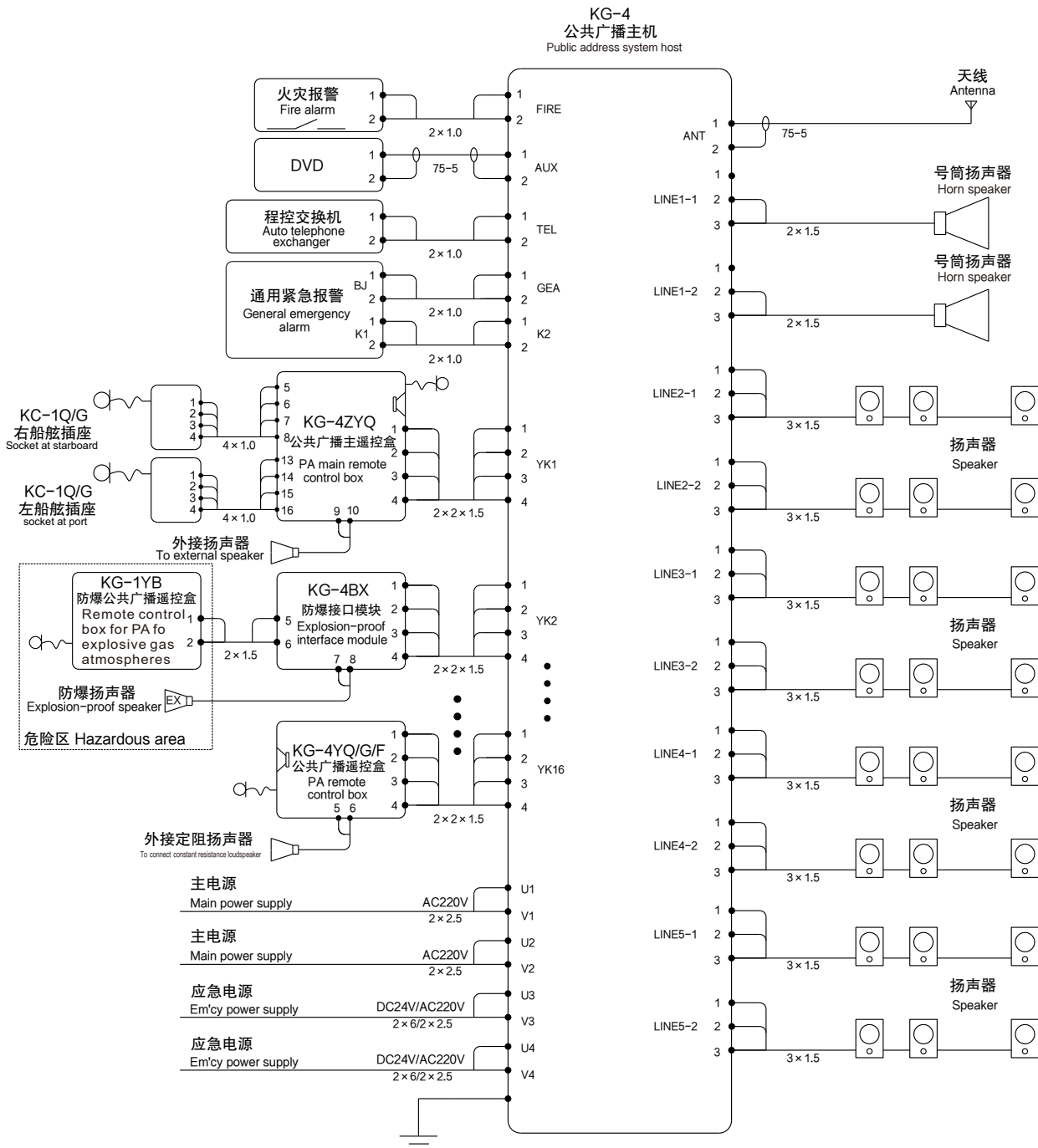
程控电话通过本接口模块连接广播系统, 可实现分区喊话、
录音播放、控制多台广播主机等功能。

Function

Auto telephone is connected with public address system via this interface module, which can achieve the functions of broadcast to area, record & playing, control several PA main units, etc.

电源Power supply: DC24V ^{+30%}/_{-25%}
 颜色Color:中绿灰Green gray (RAL 6034)
 防护等级 IP class:IP44
 重量 Weight:0.9Kg
 填料函进线孔径 Stuffing box cable entrance hole size: 1-Φ 14mm,1-Φ 18mm

KG-4公共广播主机系统接线图
KG-4 public address system connection diagram



说明:
当广播机输出功率为 $2 \times 100W/2 \times 200W/2 \times 300W/2 \times 500W$ 时,广播机两路应急电源都为:DC24V(电缆:2*6);
当广播机输出功率为 $2 \times 500W/2 \times 1000W/2 \times 2000W$ 时,广播机两路应急电源都为:AC220V(电缆:2*2.5)。

Note:
When output power of public address main unit is $2*100W/2*200W/2*300W/2*500W$, two lines of emergency power are DC24V(power cable:2*6).
When output power of public address main unit is $2*500W/2*1000W/2*2000W$, two lines of emergency power are AC220V (power cable:2*2.5).

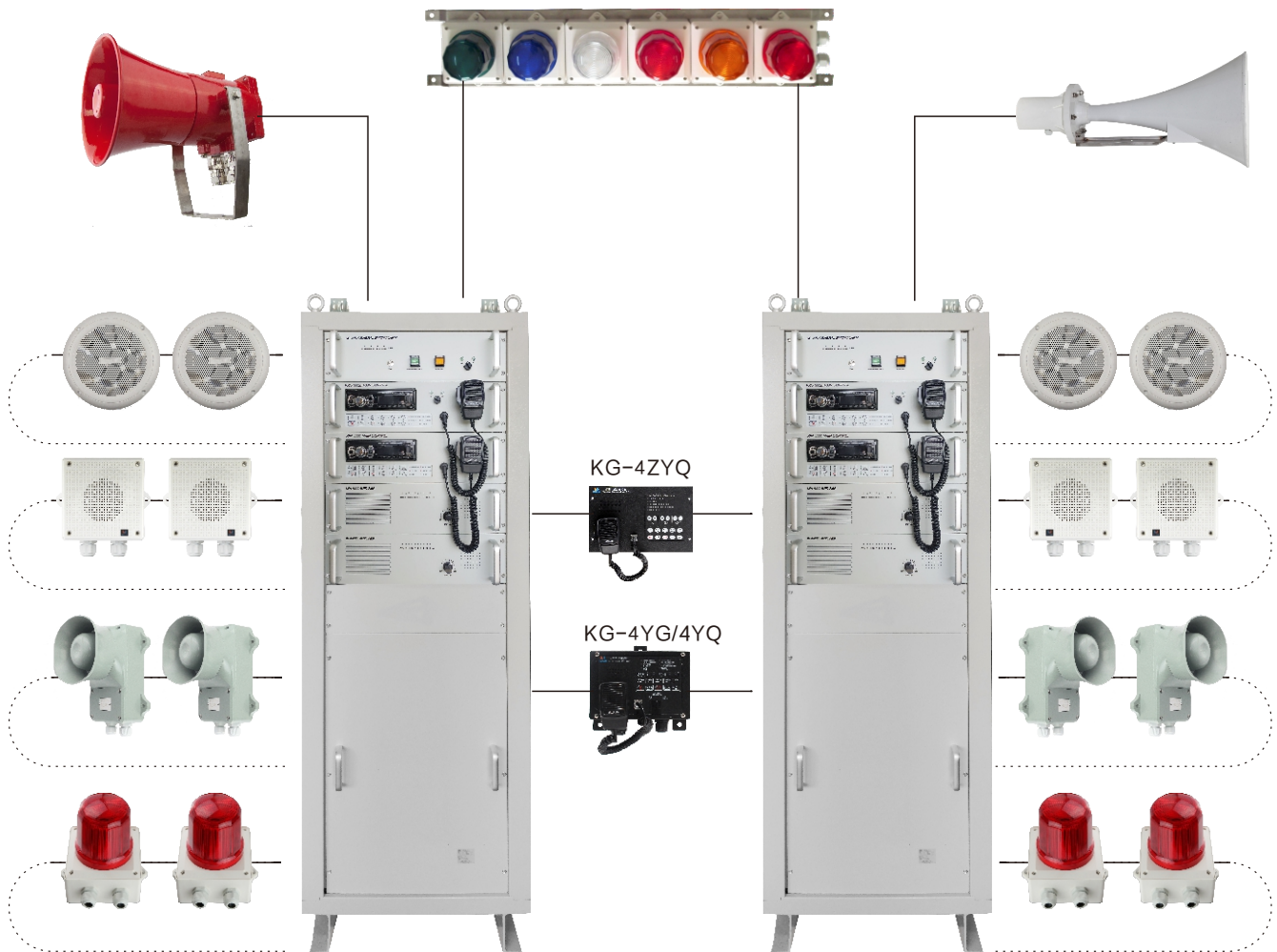
PA/GA系统(A/B单元) PA/GA system(A/B Unit)

功能描述

1. AB单元互为备份。
2. 本系统满足客轮和客滚船安全返港规范的要求。
3. 本系统主要用于平台内部发生火灾和可燃气体泄漏报警、紧急命令发布、广播找人以及平台上工作人员的日常娱乐。本系统平时用于工作联系或播放背景音乐，发生事故时则作为事故报警即应急报警，指挥引导疏散。
4. 平台上的报警信号通常分为三种，即弃平台、火灾报警、天然气泄漏报警，三种报警音均为全音量、全区域广播；报警期间，指挥人员可强行插入话筒广播。

Function

1. AB units are backup to each other.
2. This system meet the requirements of safe return rules for passenger ships and ro-ro passenger ships.
3. This system is applied for fire alarm, flammable gas leakage alarm, emergency announce, paging and daily entertainment on the platform. This system is generally applied to working or music playing; in case of accident, it will serve as accident alarm, that is emergency alarm, which will command and guide the evacuation.
4. Generally, alarm signals on the platform consists of abandon the platform, fire alarm and natural gas leakage alarm. Three kinds of alarm will be given to all areas in full volume; during the alarm, commanding personnel can forcedly broadcast.

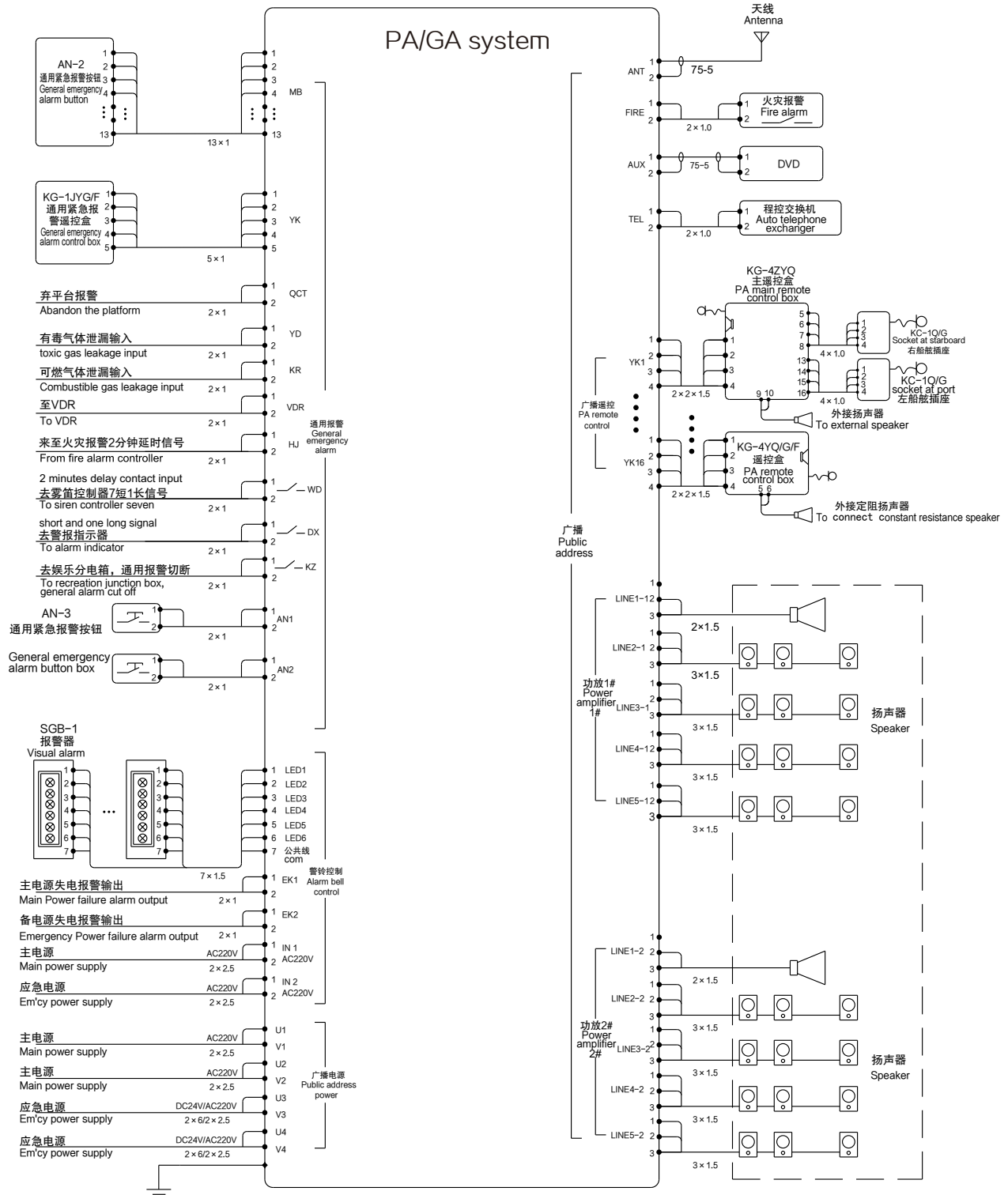


A单元
A unit

B单元
B unit

火灾报警系统 Fire alarm system
通用紧急报警系统 General emergency alarm system
程控电话系统 Auto telephone system

PA/GA系统接线图
PA/GA system connection diagram



说明:

当广播机输出功率为 $2 \times 100W/2 \times 200W/2 \times 300W$ 时, 广播机两路应急电源都为: $DC24V^{+30\%}_{-25\%}$; 当广播机输出功率为 $2 \times 500W/2 \times 1000W/2 \times 2000W$ 时, 广播机两路应急电源都为: $AC220V \pm 10\%$ 。

Note:

When output power of public address main unit is $2*100W/2*200W/2*300W$, two lines of emergency power are $DC24V^{+30\%}_{-25\%}$. When output power of public address main unit is $2*500W/2*1000W/2*2000W$, two lines of emergency power are $AC220V \pm 10\%$.