

KZM 子母钟系统 KZM Master & slave clock system 设备组成 Device Composition

序号 S/N	型号 Model	名称 Name	主要材质 Main material	重量 Weight	防护等级 IP class
1	KZM-1ZQ	母钟 Master clock	铝材 Aluminum	4.8Kg	IP 22
2	KZM-1ZG	母钟 Master clock	铝材 Aluminum	5Kg	IP 22
3	KZM-1TQ	调光子钟 Slave clock with dimming	铝材 Aluminum	1.1Kg	IP 20
4	KZM-TQ-T	调光器 Dimmer	阻燃ABS Fire retardant ABS	0.5Kg	IP 20
5	KZM-1G	子钟 Slave clock	阻燃ABS Fire retardant ABS	1.5Kg	IP 20
6	KZM-1G-B	子钟(报房) Slave clock(Radio room)	阻燃ABS Fire retardant ABS	1.5Kg	IP 20
7	KZM-1F	防水子钟 Slave clock	阻燃ABS Fire retardant ABS	1.5Kg	IP 44
8	KZM-1G-S	子钟(双面) Slave clock(Double side)	阻燃ABS Fire retardant ABS	2.5Kg	IP 20
9	KZM-1G-M	子钟 Slave clock	阻燃ABS Fire retardant ABS	0.7Kg	IP 20

功能描述

KZM-1Z母钟 Master clock

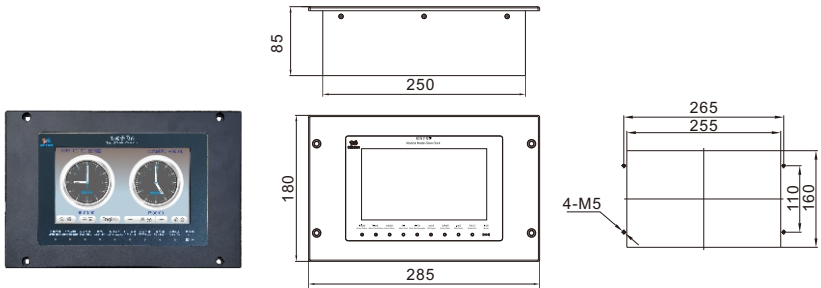
液晶显示带触摸屏功能，可显示本地时间和格林威治时间带GPS接口，接收GPS校时内部带高精度晶体振荡器，满足自走时的精度要求与子钟之间采用双向数据通讯。

Function

LCD has function of touch screen and can display local time and GMT.

GPS interface can receive timing and there is high precision crystal oscillator inside, which can meet the requirements of self-propelled precision and two-way datacommunication between it and slave clock.

KZM-1ZQ母钟 Master clock



主电源 Main power:AC220V ± 10%

应急电源 Emergency power:DC24V ^{+30%}_{-25%}

报警声压级Sound pressure level: 75dB ~ 85dB

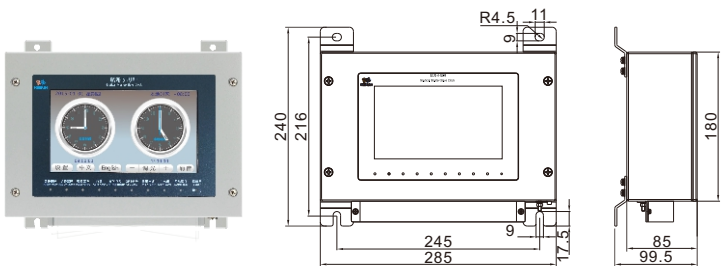
颜色Color: 海灰色Sea gray(RAL7035)

防护等级 IP class:IP22

重量 Weight:4.8Kg

功耗Power:30W

KZM-1ZG母钟 Master clock



主电源 Main power:AC220V ± 10%

应急电源 Emergency power:DC24V ^{+30%}_{-25%}

报警声压级Sound pressure level: 75dB ~ 85dB

颜色Color: 海灰色Sea gray(RAL7035)

防护等级 IP class:IP22

重量 Weight:5.0Kg

功耗Power:30W

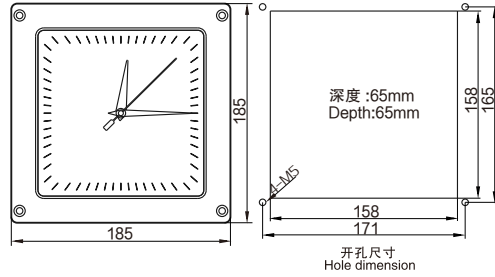
KZM-1TQ调光子钟 Wheelhouse salve clock

功能描述

安装在驾驶室，自带背光源，满足全黑环境下的使用。要求内部带高精度晶体振荡器，满足自走时的精度要求。

Function

It is mounted in the wheelhouse and equipped with backlight source, which can be operated in the dark environment. It is required to equip with high precision crystal oscillator inside, which will meet the requirements of self-propelled precision.



电源Power supply:DC24V ^{+30%}/_{-25%}
颜色Color: 黑色black(RAL9005)
防护等级 IP class:IP20
重量 Weight:1.1Kg
功耗Power:1W

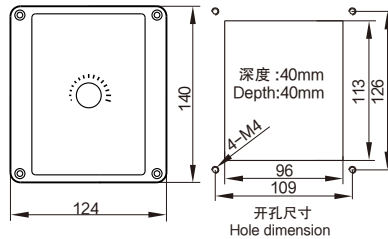
KZM-TQ-T调光器 Dimmer

功能描述

调光子钟的一个附件，安装在便于操作的地方，调节子钟的背光亮度。

Function

One accessory to dimmer slave clock is mounted in the place where it is convenient to operate to adjust the backlight brightness of slave clock.



电源Power supply:DC24V ^{+30%}/_{-25%}
颜色Color: 黑色black(RAL9005)
防护等级 IP class:IP20
重量 Weight:0.3Kg

子钟 Slave clock

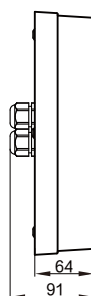
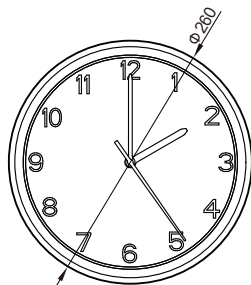
功能描述

子钟具有通讯功能,用于接收母钟发出的标准时间或命令,从而实现子母钟同步。子钟必须接入母钟才能工作。

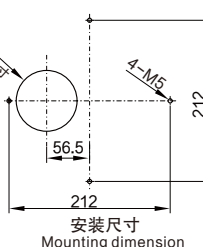
Function

Slave clock has function of communication and can receive the standard time or command from master clock, which will achieve the synchronization between master clock and slave clock. Slave clock will not work unless connected with master clock.

KZM-1G子钟 Slave clock

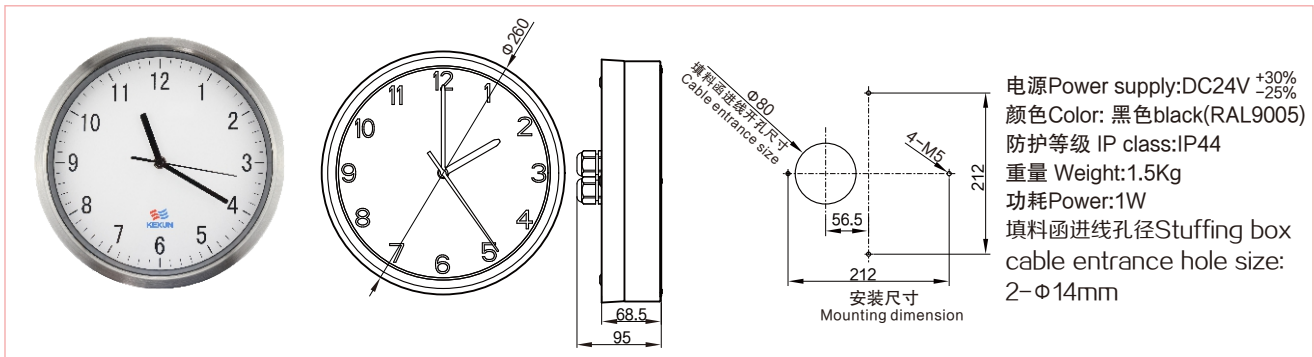


填充函进线孔径
Cable entrance size

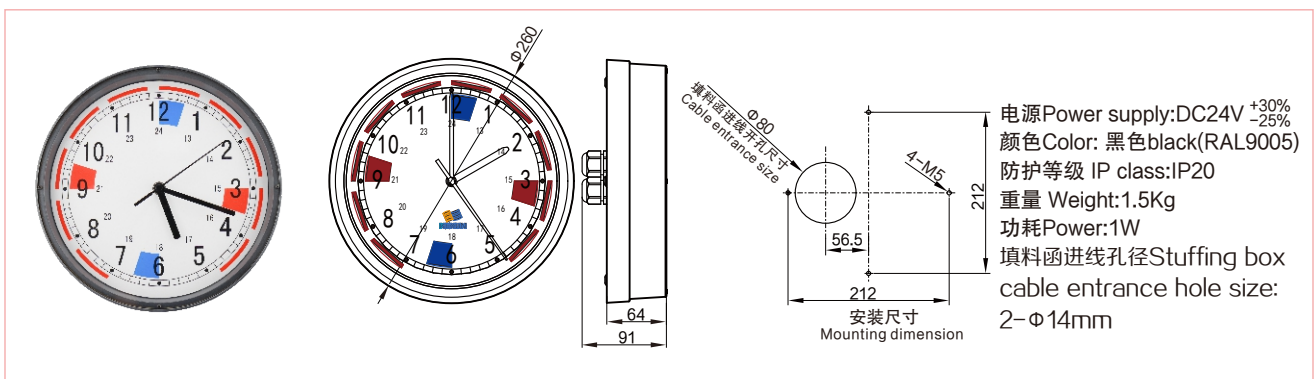


电源Power supply:DC24V ^{+30%}/_{-25%}
颜色Color: 黑色black(RAL9005)
防护等级 IP class:IP20
重量 Weight:1.5Kg
功耗Power:1W
填料函进线孔径Stuffing box cable entrance hole size: 2-Φ14mm

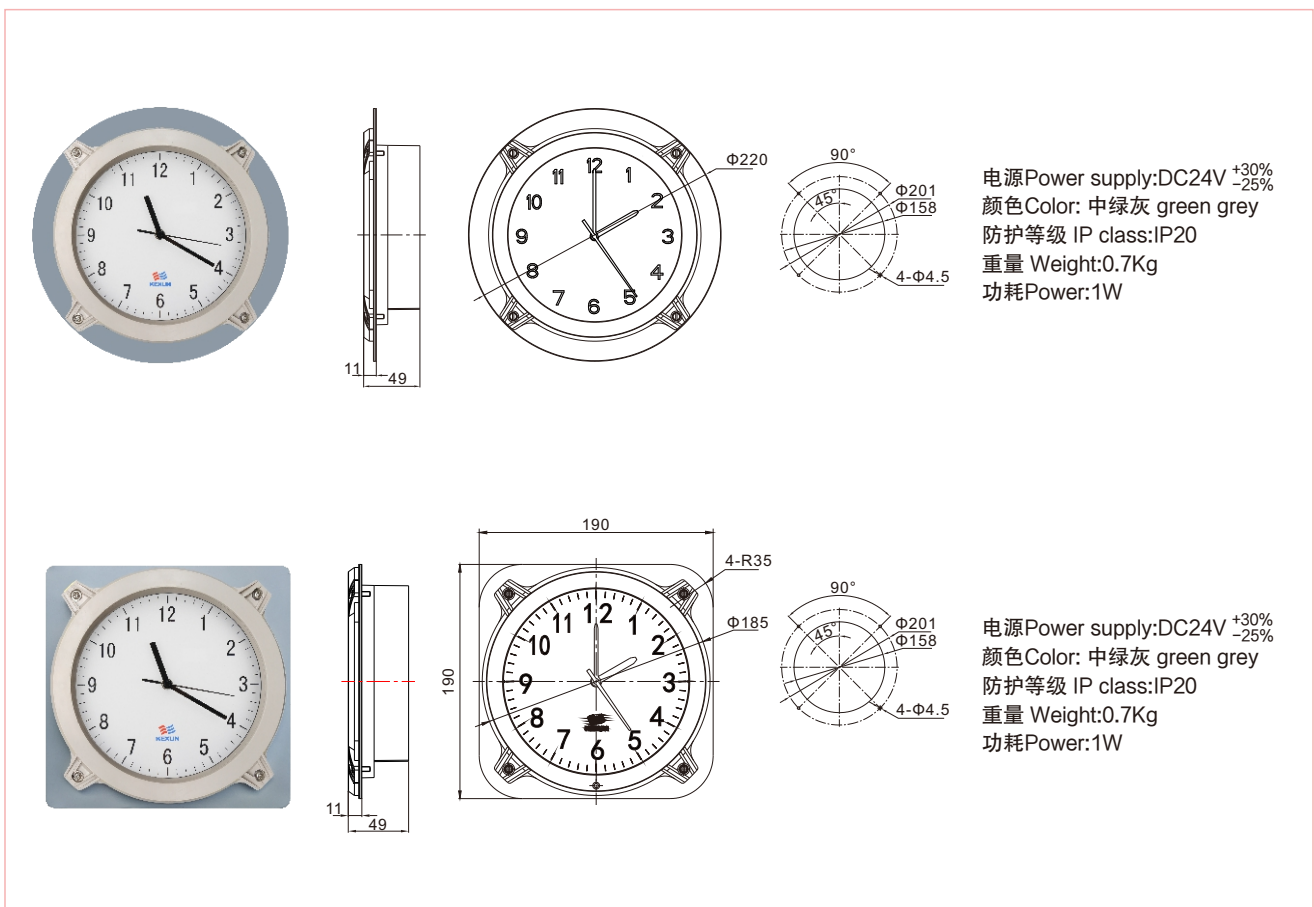
KZM-1F防水子钟 W/T slave clock



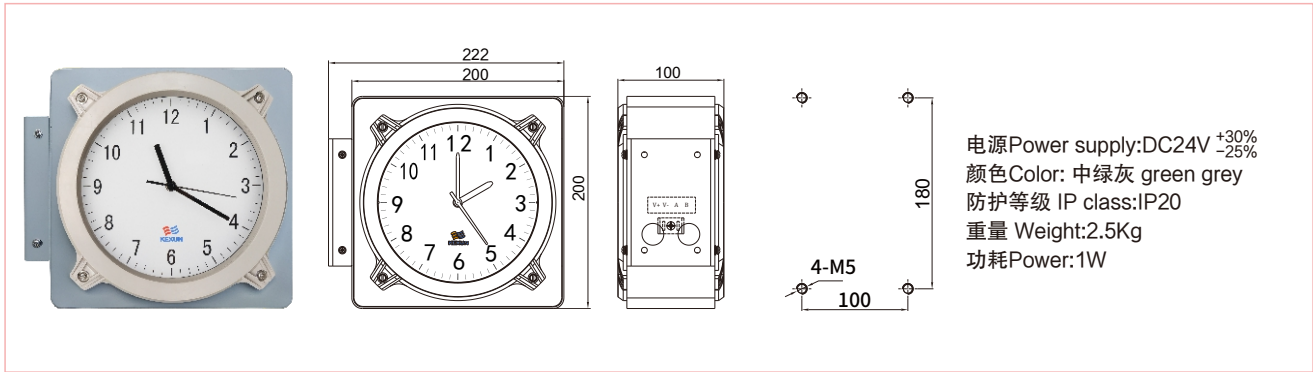
KZM-1G-B子钟(报房) Slave clock(Radio room)



KZM-1G-M 子钟 Slave clock



KZM-1G-S子钟(双面) Slave clock(Double side)



KZM 子母钟系统接线示意图
KZM Master & slave clock system connection diagram

